



GT Tooling
2ND
GENERATION



INTRODUCING ADVENT'S NEWEST LINE OF REPLACEABLE INSERTS & HOLDERS

800.847.3234 | advent-threadmill.com | 100% Made in the USA

GT INDEXABLE TOOLING (GENERATION TWO) WITH DOUBLE SIDED INSERTS

- Fully Hardened / CNC Ground
- Indexable Double Sided Inserts
- Small Diameter / Coarse Pitch Internal Threading Applications
- Thru Body Coolant

3/4" & 7/8" UN THREADS

Tool Assembly

Part Number	Description	Length (L1)	Relief (L2)	Shank (d)
GTK34-34F2R12	2 Flute Dbl. Sided Ins. Mill	4.0"	1.20"	0.750"
GTK34-34F2R17	2 Flute Dbl. Sided Ins. Mill	4.0"	1.70"	0.750"

Double Sided Inserts (1)

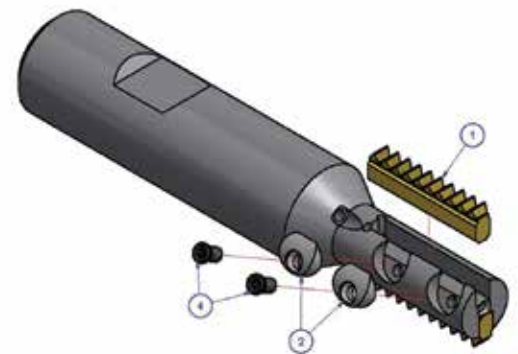
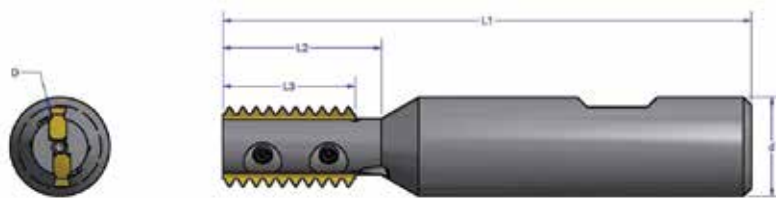
Coatings

Part Number	Form	Cut Diameter (D)	Length (L3)	Z	V
AGT-KAD16BUN	16 UN INT	0.625"	1.0"	X	O
AGT-KAD14BUN	14 UN INT	0.625"	1.0"	X	O
AGT-KAD10BUN	10 UN INT	0.625"	1.0"	X	O
AGT-KBD9BUN	9 UN INT	0.655"	1.0"	X	O

X = In Stock O = Available by Request

Other forms also available call for details

See last pages for Holder and Insert recommendations



Replaceable Part Numbers

Wedge (2)	Wedge Screw (4)	End Plate (3)	End Plate Screw (5)
ATM-W464R021	PT464S-8IP	N/A	N/A

GT INDEXABLE TOOLING (GENERATION TWO) WITH DOUBLE SIDED INSERTS

- Fully Hardened / CNC Ground
- Indexable Double Sided Inserts
- Thru Body Coolant
- Small Diameter / Coarse Pitch Internal Threading Applications
- Removable End Cap for Blind Holes

1" & 1-1/8" UN THREADS

Tool Assembly

Part Number	Description	Length (L1)	Relief (L2)	Shank (d)
GTL100-10F3R18	3 Flute Dbl. Sided Ins. Mill	4.5"	1.75"	1.00"
GTL100-10F3R20	3 Flute Dbl. Sided Ins. Mill	4.5"	2.00"	1.00"
GTL100-10F3R25	3 Flute Dbl. Sided Ins. Mill	4.5"	2.50"	1.00"

Double Sided Inserts (1)

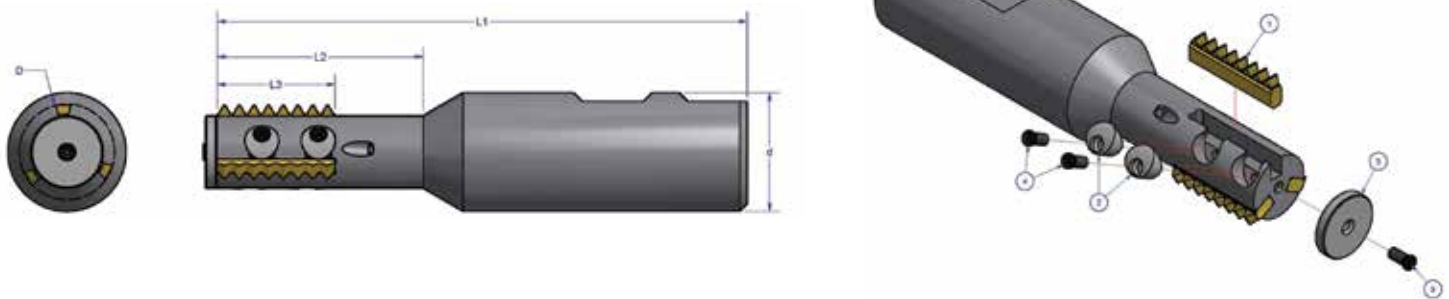
Coatings

Part Number	Form	Cut Diameter (D)	Length (L3)	Z	V
AGT-LAD12BUN	12 UN INT	0.810"	1.0"	X	O
AGT-LAD8BUN	8 UN INT	0.810"	1.0"	X	O
AGT-LBD7BUN	7 UN INT	0.840"	1.0"	X	O

X = In Stock O = Available by Request

Other forms also available call for details

See last pages for **Holder and Insert recommendations**



Replaceable Part Numbers

Wedge (2)	Wedge Screw (4)	End Plate (3)	End Plate Screw (5)
ATM-W464R031	PT464-8IP	ATM-GTL100EP	PT464-8IP

GT INDEXABLE TOOLING (GENERATION TWO) WITH DOUBLE SIDED INSERTS

- Fully Hardened / CNC Ground
- Indexable Double Sided Inserts
- Thru Body Coolant
- Small Diameter / Coarse Pitch Internal Threading Applications
- Removable End Cap for Blind Holes

1-1/4" & 1-3/8" UN THREADS

Tool Assembly

Part Number	Description	Length (L1)	Relief (L2)	Shank (d)
GTL125-10F3R22	3 Flute Dbl. Sided Ins. Mill	5.5"	2.20"	1.00"
GTL125-10F3R32	3 Flute Dbl. Sided Ins. Mill	5.5"	3.20"	1.00"

Double Sided Inserts (1)

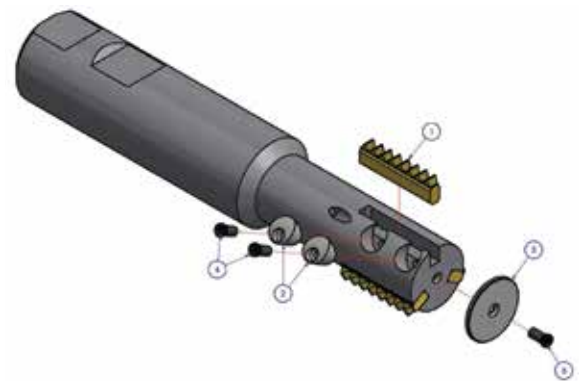
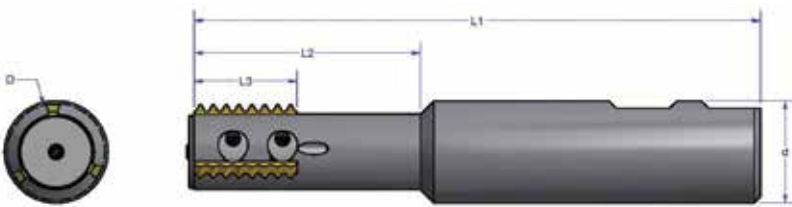
Coatings

Part Number	Form	Cut Diameter (D)	Length (L3)	Z	V
AGT-LAD12BUN	12 UN INT	0.950"	1.0"	X	O
AGT-LAD8BUN	8 UN INT	0.950"	1.0"	X	O
AGT-LBD7BUN	7 UN INT	0.980"	1.0"	X	O
AGT-LCD6BUN	6 UN INT	1.010"	1.0"	X	O

X = In Stock O = Available by Request

Other forms also available call for details

See last pages for Holder and Insert recommendations



Replaceable Part Numbers

Wedge (2)	Wedge Screw (4)	End Plate (3)	End Plate Screw (5)
ATM-W464R037	PT464-8IP	ATM-GTL125EP	PT464-8IP

GT INDEXABLE TOOLING (GENERATION TWO) WITH DOUBLE SIDED INSERTS

- Fully Hardened / CNC Ground
- Indexable Double Sided Inserts
- Small Diameter / Coarse Pitch Internal Threading Applications
- Thru Body Coolant

M20 & M22 METRIC THREADS

Tool Assembly

Part Number	Description	Length (L1)	Relief (L2)	Shank (d)
GTKM20-20F2R30	2 Flute Dbl. Sided Ins. Mill	4.0"	30.48mm	20mm
GTKM20-20F2R43	2 Flute Dbl. Sided Ins. Mill	4.0"	43.18mm	20mm

Double Sided Inserts (1)

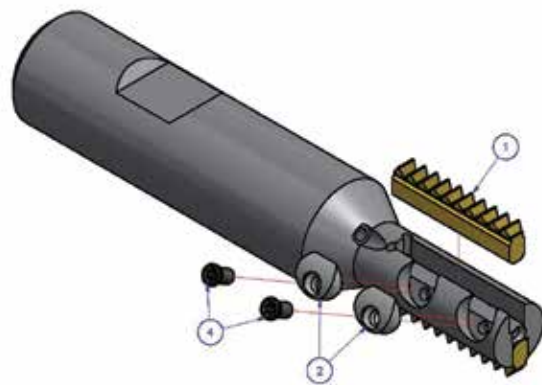
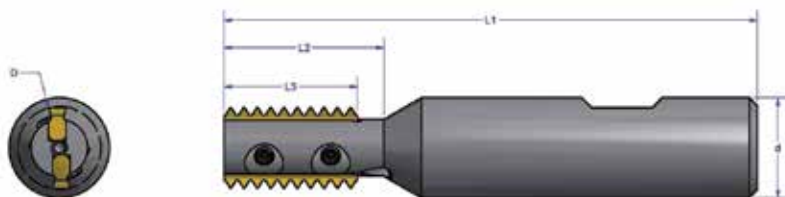
Coatings

Part Number	Form	Cut Diameter (D)	Length (L3)	Z	V
AGT-KAD1.5BMM	1.5 MM INT	0.625"	1.0"	X	O
AGT-KAD2.5BMM	2.5 MM INT	0.625"	1.0"	X	O

X = In Stock O = Available by Request

Other forms also available call for details

See last pages for Holder and Insert recommendations



Replaceable Part Numbers

Wedge (2)	Wedge Screw (4)	End Plate (3)	End Plate Screw (5)
ATM-W464R021	PT464S-8IP	N/A	N/A

GT INDEXABLE TOOLING (GENERATION TWO) WITH DOUBLE SIDED INSERTS



- Fully Hardened / CNC Ground
- Indexable Double Sided Inserts
- Thru Body Coolant
- Small Diameter / Corse Pitch Internal Threading Applications
- Removable End Cap for Blind Holes

M24 METRIC THREADS

Tool Assembly

Part Number	Description	Length (L1)	Relief (L2)	Shank (d)
GTLM24-25F3R30	3 Flute Dbl. Sided Ins. Mill	4.5"	30.48mm	25mm
GTLM24-25F3R57	3 Flute Dbl. Sided Ins. Mill	4.5"	57.15mm	25mm

Double Sided Inserts (1)

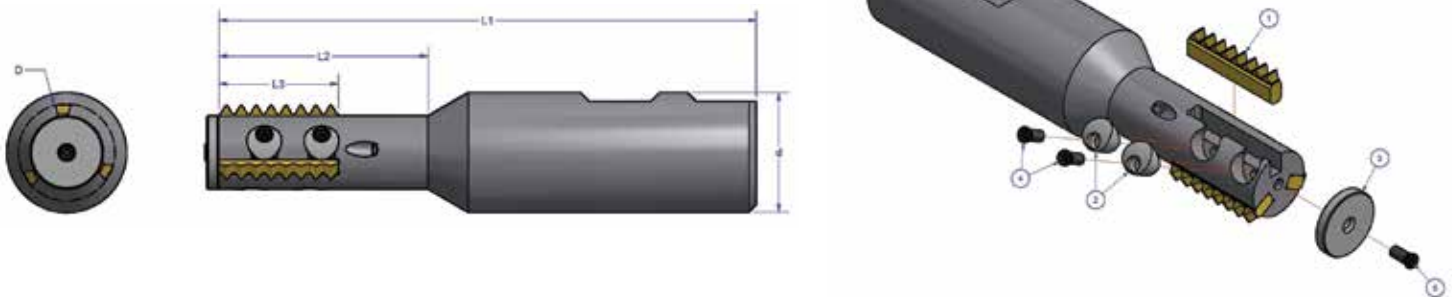
Coatings

Part Number	Form	Cut Diameter (D)	Length (L3)	Z	V
AGT-LAD2.0BMM	2.0 MM INT	0.765"	1.0"	X	O
AGT-LAD3.0BMM	3.0 MM INT	0.765"	1.0"	X	O

X = In Stock O = Available by Request

Other forms also available call for details

See last pages for Holder and Insert recommendations



Replaceable Part Numbers

Wedge (2)	Wedge Screw (4)	End Plate (3)	End Plate Screw (5)
ATM-W464R028	PT464-8IP	ATM-GTLM24EP	PT464-8IP

GT INDEXABLE TOOLING (GENERATION TWO) WITH DOUBLE SIDED INSERTS

- Fully Hardened / CNC Ground
- Indexable Double Sided Inserts
- Thru Body Coolant
- Small Diameter / Coarse Pitch Internal Threading Applications
- Removable End Cap for Blind Holes

M27 & M30 METRIC THREADS

Tool Assembly

Part Number	Description	Length (L1)	Relief (L2)	Shank (d)
GTLM27-25F3R44	3 Flute Dbl. Sided Ins. Mill	4.5"	44.45mm	25mm
GTLM27-25F3R50	3 Flute Dbl. Sided Ins. Mill	4.5"	50.80mm	25mm
GTLM27-25F3R63	3 Flute Dbl. Sided Ins. Mill	4.5"	63.50mm	25mm

Double Sided Inserts (1)

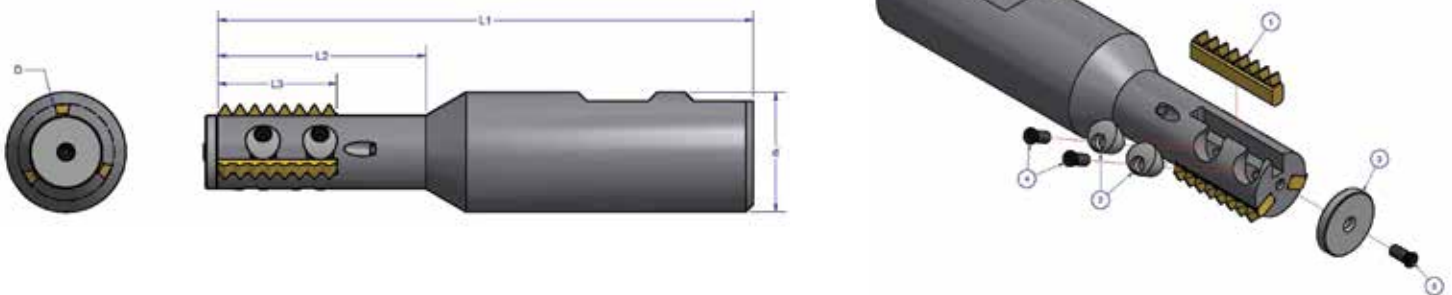
Coatings

Part Number	Form	Cut Diameter (D)	Length (L3)	Z	V
AGT-LAD2.0BMM	2.0 MM INT	0.810"	1.0"	X	O
AGT-LAD3.0BMM	3.0 MM INT	0.810"	1.0"	X	O
AGT-LBD3.5BMM	3.5 MM INT	0.840"	1.0"	X	O

X = In Stock O = Available by Request

Other forms also available call for details

See last pages for Holder and Insert recommendations



Replaceable Part Numbers

Wedge (2)	Wedge Screw (4)	End Plate (3)	End Plate Screw (5)
ATM-W464R031	PT464-8IP	ATM-GTL100EP	PT464-8IP

GT INDEXABLE TOOLING (GENERATION TWO) WITH DOUBLE SIDED INSERTS



- Fully Hardened / CNC Ground
- Indexable Double Sided Inserts
- Thru Body Coolant
- Small Diameter / Coarse Pitch Internal Threading Applications
- Removable End Cap for Blind Holes

M33 & M36 METRIC THREADS

Tool Assembly

Part Number	Description	Length (L1)	Relief (L2)	Shank (d)
GTLM33-25F3R55	3 Flute Dbl. Sided Ins. Mill	5.5"	55.88mm	25mm
GTLM33-25F3R81	3 Flute Dbl. Sided Ins. Mill	5.5"	81.28mm	25mm

Double Sided Inserts (1)

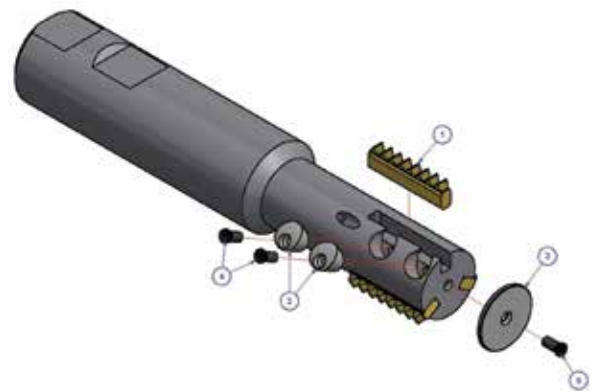
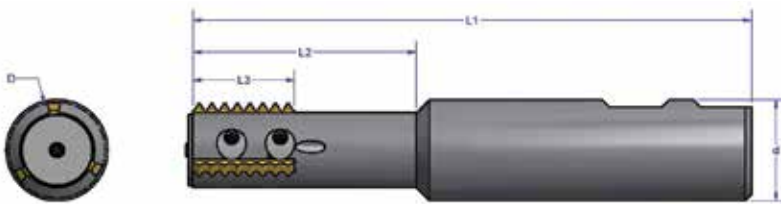
Coatings

Part Number	Form	Cut Diameter (D)	Length (L3)	Z	V
AGT-LAD2.0BMM	2.0 MM INT	0.950"	1.0"	X	O
AGT-LAD3.0BMM	3.0 MM INT	0.950"	1.0"	X	O
AGT-LBD3.5BMM	3.5 MM INT	0.980"	1.0"	X	O
AGT-LCD4.0BMM	4.0 MM INT	1.010"	1.0"	X	O

X = In Stock O = Available by Request

Other forms also available call for details

See last pages for Holder and Insert recommendations



Replaceable Part Numbers

Wedge (2)	Wedge Screw (4)	End Plate (3)	End Plate Screw (5)
ATM-W464R037	PT464-8IP	ATM-GTL125EP	PT464-8IP



GT INDEXABLE TOOLING (GENERATION TWO) WITH SINGLE SIDED INSERTS

- Fully Hardened / CNC Ground
- Thru Body Coolant
- Indexable Single Sided Inserts

1/2" & 3/4" NPT THREADS

Tool Assembly

Part Number	Description	Length (L1)	Relief (L2)	Shank (d)
GNK12-34F2R12	2 Flute Sngl. Sided Ins. Mill	4.0"	1.20"	0.750"

Single Sided Inserts (1)

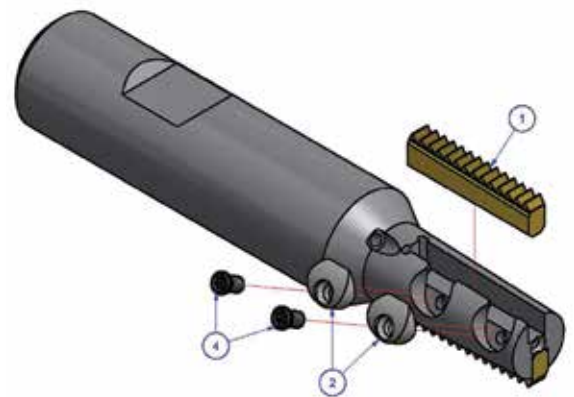
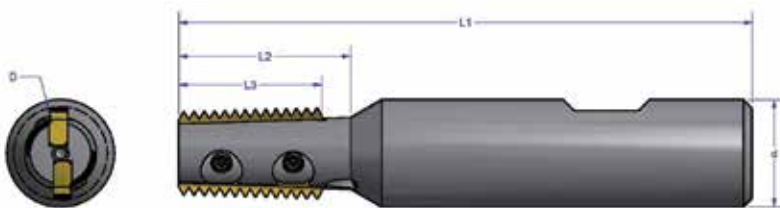
Coatings

Part Number	Form	Cut Diameter (D)	Length (L3)	Z	V
AGT-KBS14NPT	14 NPT	0.655"	1.0"	X	O

X = In Stock O = Available by Request

Other forms also available call for details

See last pages for Holder and Insert recommendations



Replaceable Part Numbers

Wedge (2)	Wedge Screw (4)	End Plate (3)	End Plate Screw (5)
ATM-W464R021T	PT464S-8IP	N/A	N/A

GT INDEXABLE TOOLING (GENERATION TWO) WITH SINGLE SIDED INSERTS



- Fully Hardened / CNC Ground
- Indexable Single Sided Inserts
- Thru Body Coolant
- Removable End Cap for Blind Holes

1"+ NPT & API THREADS

Tool Assembly

Part Number	Description	Length (L1)	Relief (L2)	Shank (d)
GNL100-10F4R11	4 Flute Sngl. Sided Ins. Mill	4.0"	1.10"	1.00"
GNL100-10F4R28	4 Flute Sngl. Sided Ins. Mill	5.0"	2.875"	1.00"

Single Sided Inserts (1)

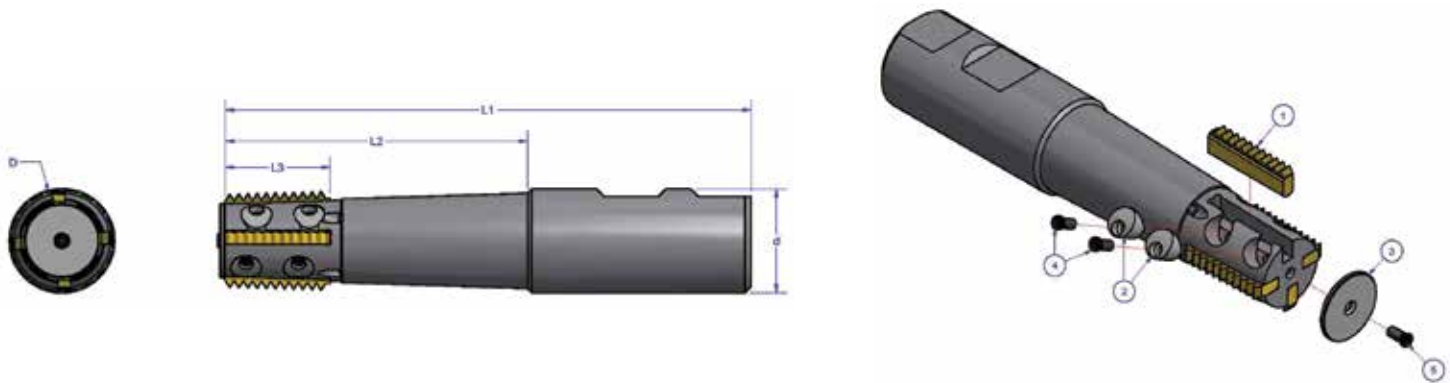
Coatings

Part Number	Form	Cut Diameter (D)	Length (L3)	Z	V
AGT-LCS115NPT	11.5 NPT	0.970"	1.0"	X	O
AGT-LDS8NPT	8 NPT	1.065"	1.0"	X	O
AGT-LCS10API	10 API	0.970"	1.0"	X	O
AGT-LCS8API	8 API	0.970"	1.0"	X	O

X = In Stock O = Available by Request

Other forms also available call for details

See last pages for Holder and Insert recommendations



Replaceable Part Numbers

Wedge (2)	Wedge Screw (4)	End Plate (3)	End Plate Screw (5)
ATM-W464R037T	PT464-8IP	ATM-GTL125EP	PT464-8IP

GT INDEXABLE TOOLING

APPLICATION RECOMMENDATION PAGE

UN Internal Threads – Carbon and Alloy Steels up to 38RC

Thread Size	Max Thread Length	Holder Part Number	Insert Part Number	Metric Holder Equivalent
3/4" - 10	1.00"	GTK34-34F2R12	AGT-KAD10BUNZ	GTKM20-20F2R30
	1.50"	GTK34-34F2R17		GTKM20-20F2R43
3/4" - 16	1.00"	GTK34-34F2R12	AGT-KAD16BUNZ	GTKM20-20F2R30
	1.50"	GTK34-34F2R17		GTKM20-20F2R43
7/8" - 9	1.00"	GTK34-34F2R12	AGT-KBD9BUNZ	GTKM20-20F2R30
	1.50"	GTK34-34F2R17		GTKM20-20F2R43
7/8" - 14	1.00"	GTK34-34F2R12	AGT-KAD14BUNZ	GTKM20-20F2R30
	1.50"	GTK34-34F2R17		GTKM20-20F2R43
1" - 8	1.50"	GTL100-10F3R18	AGT-LAD8BUNZ	GTLM27-25F3R44
	1.75"	GTL100-10F3R20		GTLM27-25F3R50
	2.25"	GTL100-10F3R25		GTLM27-25F3R63
1" - 12	1.50"	GTL100-10F3R18	AGT-LAD12BUNZ	GTLM27-25F3R44
	1.75"	GTL100-10F3R20		GTLM27-25F3R50
	2.25"	GTL100-10F3R25		GTLM27-25F3R63
1-1/8" - 7	1.50"	GTL100-10F3R18	AGT-LBD7BUNZ	GTLM27-25F3R44
	1.75"	GTL100-10F3R20		GTLM27-25F3R50
	2.25"	GTL100-10F3R25		GTLM27-25F3R63
1-1/8" - 12	1.50"	GTL100-10F3R18	AGT-LAD12BUNZ	GTLM27-25F3R44
	1.75"	GTL100-10F3R20		GTLM27-25F3R50
	2.25"	GTL100-10F3R25		GTLM27-25F3R63
1-1/4" - 7	2.00"	GTL125-10F3R22	AGT-LBD7BUNZ	GTLM33-25F3R55
	3.00"	GTL125-10F3R32		GTLM33-25F3R81
1-1/4" - 12	2.00"	GTL125-10F3R22	AGT-LAD12BUNZ	GTLM33-25F3R55
	3.00"	GTL125-10F3R32		GTLM33-25F3R81
1-3/8" - 6	2.00"	GTL125-10F3R22	AGT-LCD6BUNZ	GTLM33-25F3R55
	3.00"	GTL125-10F3R32		GTLM33-25F3R81
1-3/8" - 12	2.00"	GTL125-10F3R22	AGT-LAD12BUNZ	GTLM33-25F3R55
	3.00"	GTL125-10F3R32		GTLM33-25F3R81

NPT & API Threads – Carbon and Alloy Steels up to 38RC

Thread Size	Max Thread Length	Holder Part Number	Insert Part Number
1/2" & 3/4" NPT	1.00"	GNK12-34F2R12	AGT-KBS14NPTZ
1" - 2" NPT	1.00"	GNL100-10F4R11	AGT-LCS115NPTZ
	2.75"	GNL100-10F4R28	
2-1/2"+ NPT	1.00"	GNL100-10F4R11	AGT-LDS8NPTZ
	2.75"	GNL100-10F4R28	
1.05"+ 10 API	1.00"	GNL100-10F4R11	AGT-LCS10APIZ
	2.75"	GNL100-10F4R28	
2-3/8"+ 8 API	1.00"	GNL100-10F4R11	AGT-LCS8APIZ
	2.75"	GNL100-10F4R28	

GT INDEXABLE TOOLING

APPLICATION RECOMMENDATION PAGE

Metric Internal Threads – Carbon and Alloy Steels up to 38RC

Thread Size	Max Thread Length	Holder Part Number	Insert Part Number	Inch Holder Equivalent
M20 X 1.5	1.00" (25mm)	GTKM20-20F2R30	AGT-KAD1.5BMMZ	GTK34-34F2R12
	1.50" (40mm)	GTKM20-20F2R43		GTK34-34F2R17
M20 X 2.5	1.00" (25mm)	GTKM20-20F2R30	AGT-KAD2.5BMMZ	GTK34-34F2R12
	1.50" (40mm)	GTKM20-20F2R43		GTK34-34F2R17
M22 X 1.5	1.00" (25mm)	GTKM20-20F2R30	AGT-KAD1.5BMMZ	GTK34-34F2R12
	1.50" (40mm)	GTKM20-20F2R43		GTK34-34F2R17
M22 X 2.5	1.00" (25mm)	GTKM20-20F2R30	AGT-KAD2.5BMMZ	GTK34-34F2R12
	1.50" (40mm)	GTKM20-20F2R43		GTK34-34F2R17
M24 X 2.0	1.00" (25mm)	GTLM24-25F3R30	AGT-LAD2.0BMMZ	N/A
	2.00" (51mm)	GTLM24-25F3R57		
M24 X 3.0	1.00" (25mm)	GTLM24-25F3R30	AGT-LAD3.0BMMZ	
	2.00" (51mm)	GTLM24-25F3R57		
M27 X 2.0	1.50" (38mm)	GTLM27-25F3R44	AGT-LAD2.0BMMZ	GTL100-10F3R18
	1.75" (44mm)	GTLM27-25F3R50		GTL100-10F3R20
	2.25" (57mm)	GTLM27-25F3R63		GTL100-10F3R25
M27 X 3.0	1.50" (38mm)	GTLM27-25F3R44	AGT-LAD3.0BMMZ	GTL100-10F3R18
	1.75" (44mm)	GTLM27-25F3R50		GTL100-10F3R20
	2.25" (57mm)	GTLM27-25F3R63		GTL100-10F3R25
M30 X 2.0	1.50" (38mm)	GTLM27-25F3R44	AGT-LAD2.0BMMZ	GTL100-10F3R18
	1.75" (44mm)	GTLM27-25F3R50		GTL100-10F3R20
	2.25" (57mm)	GTLM27-25F3R63		GTL100-10F3R25
M30 X 3.5	1.50" (38mm)	GTLM27-25F3R44	AGT-LBD3.5BMMZ	GTL100-10F3R18
	1.75" (44mm)	GTLM27-25F3R50		GTL100-10F3R20
	2.25" (57mm)	GTLM27-25F3R63		GTL100-10F3R25
M33 X 2.0	2.00" (51mm)	GTLM33-25F3R55	AGT-LAD2.0BMMZ	GTL125-10F3R22
	3.00" (76mm)	GTLM33-25F3R81		GTL125-10F3R32
M33 X 3.5	2.00" (51mm)	GTLM33-25F3R55	AGT-LBD3.5BMMZ	GTL125-10F3R22
	3.00" (76mm)	GTLM33-25F3R81		GTL125-10F3R32
M36 X 3.0	2.00" (51mm)	GTLM33-25F3R55	AGT-LAD3.0BMMZ	GTL125-10F3R22
	3.00" (76mm)	GTLM33-25F3R81		GTL125-10F3R32
M36 X 4.0	2.00" (51mm)	GTLM33-25F3R55	AGT-LCD4.0BMMZ	GTL125-10F3R22
	3.00" (76mm)	GTLM33-25F3R81		GTL125-10F3R32